

RoHS

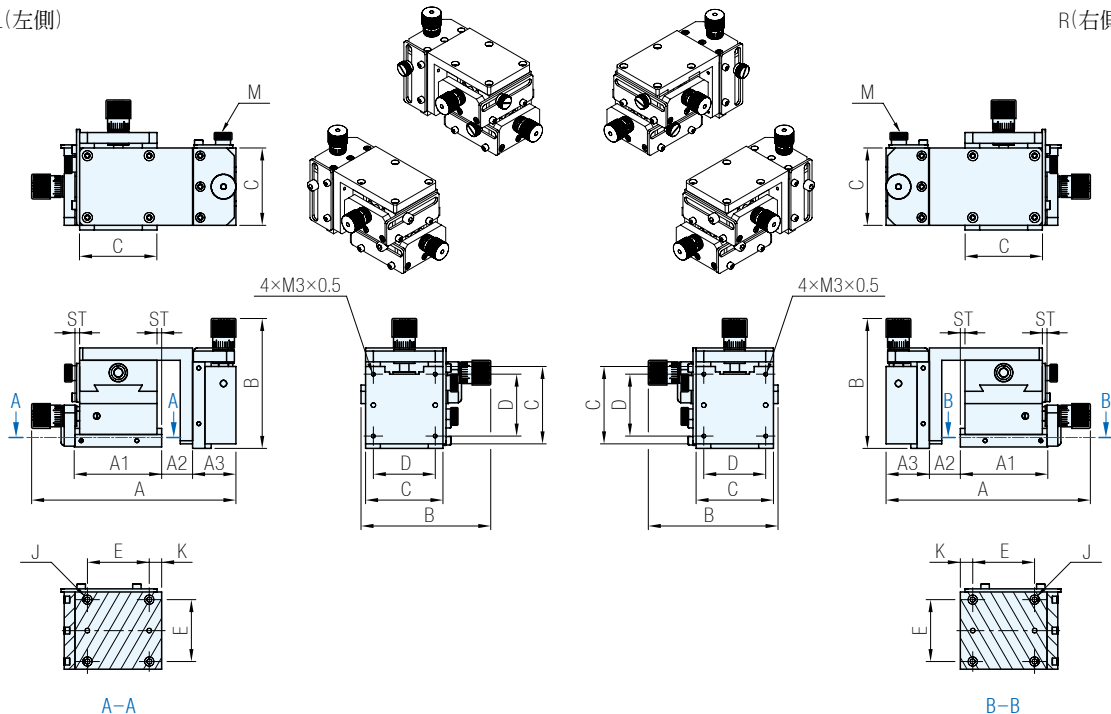
壓花螺絲

內六角螺絲



L(左側)

R(右側)



| 品號 | 檯面 C | A | A1 | A2 | A3 | B | D | E | J | K | ST | 行程 | M 固定螺絲 | 軸位 | | | | | | | | | | |
|-----------|---------|-------|------|----|----|-------|----|----|----------------------------------|----|----|----|-----------|-------|----|----|-------|----|----|----|----|----|-------|-------|
| AFG-0050 | 50 | (132) | 56.5 | 12 | 36 | (84) | 40 | 40 | 表面4×φ6 深3.5沉孔, M4×0.7P(貫穿) | 8 | 3 | 15 | 內六角螺絲 | L(左側) | | | | | | | | | | |
| AFG-0051 | | | | | | | | | | | | | | R(右側) | | | | | | | | | | |
| *AFG-0052 | | | | | | | | | | | | | 壓花螺絲 | L(左側) | | | | | | | | | | |
| *AFG-0053 | | | | | | | | | | | | | | R(右側) | | | | | | | | | | |
| AFG-0058 | | (137) | 66.5 | 7 | 36 | (94) | 40 | 40 | | 13 | 8 | 25 | 內六角螺絲 | L(左側) | | | | | | | | | | |
| AFG-0059 | | | | | | | | | | | | | | R(右側) | | | | | | | | | | |
| *AFG-0060 | | | | | | | | | | | | | 壓花螺絲 | L(左側) | | | | | | | | | | |
| *AFG-0061 | | | | | | | | | | | | | | R(右側) | | | | | | | | | | |
| AFG-0066 | | | | | | | | | | | | | (161) | 82.5 | 23 | 28 | (110) | 40 | 40 | 21 | 16 | 35 | 內六角螺絲 | L(左側) |
| AFG-0067 | | | | | | | | | | | | | | | | | | | | | | | | R(右側) |
| *AFG-0068 | 壓花螺絲 | L(左側) | | | | | | | | | | | | | | | | | | | | | | |
| *AFG-0069 | | R(右側) | | | | | | | | | | | | | | | | | | | | | | |

Ps. 備註

- 材質、規格表等詳細資料請參閱AFG首頁
- * 記號側邊鎖固螺絲標配壓花螺絲，可用一字起子或手直接調整；可改選成內六角螺絲，請洽詢
- 行程15的產品鎖固方式為背鎖

訂貨： 品號 交期： 14 天

AFG-0050